

# Jarrett



**Contents:**

Backsaver Cranes	2
Safety Information	4
Backsaver Cranes – Options available	5
300kg Backsaver Crane	6
Spare Parts List	7
Exploded View	7
500kg Backsaver Crane	8
Spare Parts List	9
Exploded View	9
Backsaver Crane Assembly / Operating	10
Bolt-down Specs	10
Component Weights	10
Vehicular Installation	11
8000 series Brake Winch Specifications	12
Attaching Handle	13
Spare Parts Listing	14
Front and Side Elevation, Bolt Down Specifications	14

# Backsaver Cranes Save Your Back ... Save Your Money

## Backsaver Crane – Mark II with Extendable Boom (300kg & 500kg)



**F19001 500kg**

### There is an easier way

Don't take the risk to your back, equipment or business. If it's got to be lifted, do it the easy way, with a Jarrett Backsaver Crane. The Jarrett Backsaver Crane has the capacity to safely, simply and effectively lift and place loads of up to 300kg and 500kg.

### 300kg and 500kg Capacity Lift

The lifting capabilities of the Backsaver Crane are supplied by a 300kg and 500kg manual brake winch. To raise the load simply wind the handle, to lower the load wind the handle in the reverse direction. The winch incorporates a load friction brake which is automatically activated when the handle is released – keeping the load safely in position at all times.

### Now available with 12 and 24 volt DC Electric Winches

The Jarrett Backsaver Crane is the economical alternative to expensive vehicle mounted hydraulic cranes and is suitable for utilities, trucks and trailers, etc. The Crane is also suitable for industrial, marine and rural applications.

### Various coatings available – see page 5

Standard Jarrett colours, Galvanised or Powder coated White



**F19001CW 500kg  
Powder coated White**



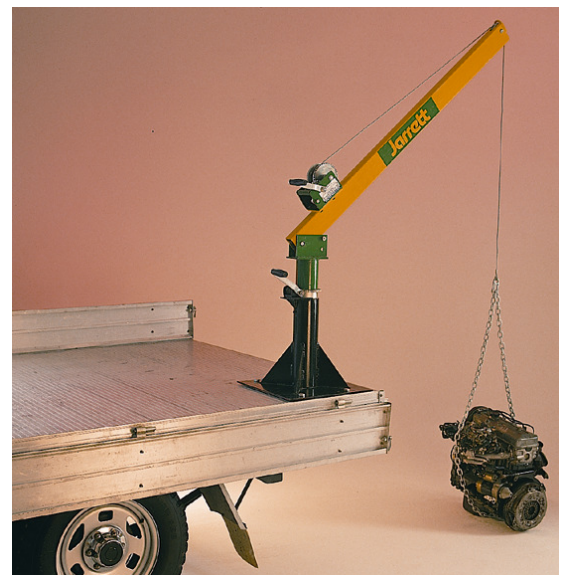


### The Jarrett Backsaver Crane –

The Backsaver Crane provides the perfect lifting solution to tradesmen, farmers, delivery drivers and anyone who has to lift loads of anything from fuel drums, jet skis, small boats, motor bikes, car engines, ride-on-mowers, cement mixers, farm machinery, livestock, fence, brick cutters and even tractor tyres - the possibilities are endless. In fact if you have ever thought, "There's got to be a better way", chances are that Jarrett has already found it.



**F12643 300kg**





## Important Safety Information

### **DO the following:**

---

Read carefully and comply with the guidelines set forth in the Owner's Manual.

Keep hands away from the drum, gears, wire cable / fibre rope, and other moving parts of the equipment.

Install the wire cable / fibre rope securely to the winch drum.

Ensure at least 3 turns of wire cable / fibre rope wound on the drum at all times, to serve as an anchor wrap.

Keep all unnecessary personnel away from the winch while in operation.

Keep out of the path of the load should the wire cable break and snap back and cause injury.

### **DO NOT do the following:**

---

Do not lift people, or objects over people. Do not walk or work under a load or in the line of force of any load.

Do not exceed the load rating of the winch or any other component in the system. To do so could result in failure of the equipment.

Do not use more than one winch to move a load that exceeds the load rating of a single winch. A shift in load weight could overload the equipment.

Do not use damaged or malfunctioning equipment. To do so could result in failure of the equipment.

Do not modify the equipment in any way. To do so could cause equipment failure.

Do not apply a load on the winch with the wire cable / fibre rope fully extended. Keep at least three full turns of cable / fibre rope on the drum.

Do not wrap the wire cable / fibre rope around the load. This may damage the wire cable / fibre rope and could cause the load to slip / fall. Use a sling or other approved lifting device.

Do not operate the winch with covers / guards removed or improperly installed.

Do not divert your attention from the operation. Stay alert to the possibility of accidents, and try to prevent them from happening.

Do not jerk or swing the load. Avoid shock loads by starting and stopping the load smoothly. Shock loads overload the equipment and may cause damage.

Do not leave a suspended load unattended unless specific precautions have been undertaken and keep people away from the winch and out from under the load.

## Backsaver Cranes: - Options available

### Backsaver Crane – Mark II with Extendable Boom (300kg) with F18230/5 Brake Winch

- F12643** – Backsaver Crane 300kg with Cable
- F12643R** – Backsaver Crane 300kg with Fibre Rope
- F12643G** – Galvanised Backsaver Crane 300kg with Cable
- F12643GR** – Galvanised Backsaver Crane 300kg with Fibre Rope
- F12696E12** – Backsaver Crane 300kg with Electric Winch - Superwinch S4000 12V
- F12696E24** – Backsaver Crane 300kg with Electric Winch - Superwinch S4000 24V
- F13643W** – Powder coated white Backsaver Crane 300kg with Cable
- F13643WR** – Powder coated white Backsaver Crane 300kg with Fibre Rope

### Backsaver Crane – Mark II with Extendable Boom (500kg) with F18260/5 Brake Winch

- F19001** – Backsaver Crane 500kg with Cable
- F19001R** – Backsaver Crane 500kg with Fibre Rope
- F19001E12** – Backsaver Crane 500kg with Electric Winch - Superwinch S5000 12V
- F19001E24** – Backsaver Crane 500kg with Electric Winch - Superwinch S5000 24V
- F19001CW** – Powder coated white Backsaver Crane 500kg with Cable
- F19001CWR** – Powder coated white Backsaver Crane 500kg with Fibre Rope



**F12643 Backsaver Crane mounted on Holden Utility vehicle**



**F13643W Backsaver Crane mounted on wharf**

**Backsaver Crane – Mark II with Extendable Boom (300kg)**

The Jarrett Backsaver Crane is fitted with 360° mechanical slewing by means of a worm drive gear. This eliminates the danger of the crane boom swinging out of control when the load is taken up. The boom can only be rotated (slewed) by operating the slewing control handle. This important safety feature keeps the load under control at all times – essential for one person operation.

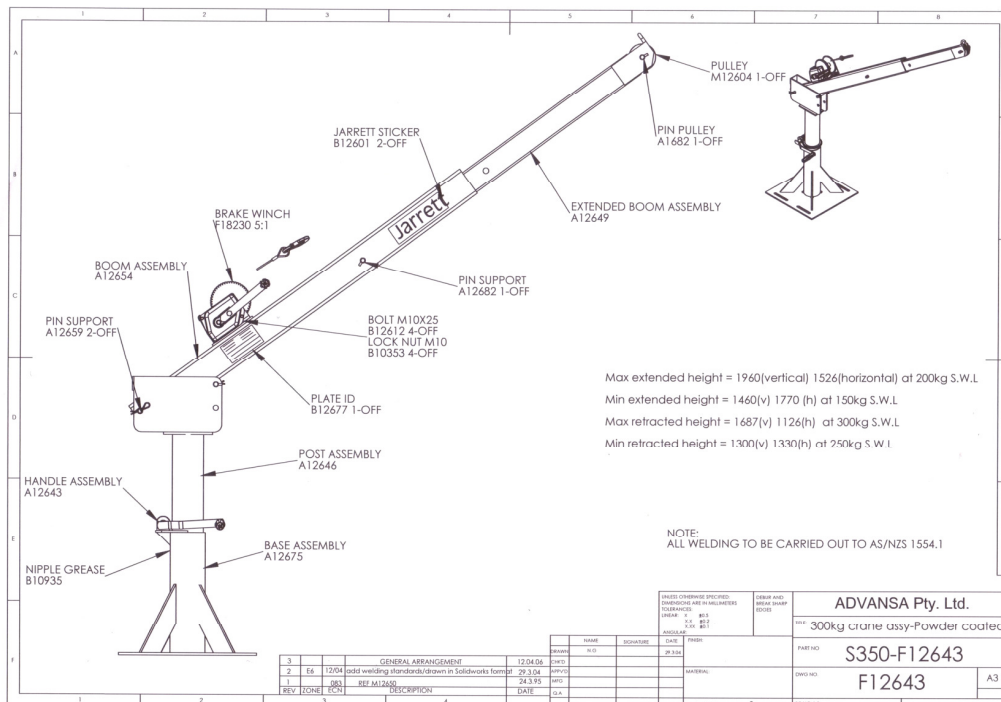
With a choice of two models, the Backsaver Crane suits a host of reach and lift requirements. With an extendable position action, all cranes have a boom reach of over 1 metre at their 300kg and 500kg lift positions. Both models have a choice of boom angle settings for even greater adaptability. If it's got to be lifted, do it the easy way, with a Jarrett Backsaver Crane.



Max extended height = 1960(vertical) 1526(horizontal) at 200kg S.W.L  
 Min extended height = 1460(v) 1770 (h) at 150kg S.W.L  
 Max retracted height = 1687(v) 1126(h) at 300kg S.W.L  
 Min retracted height = 1300(v) 1330(h) at 250kg S.W.L

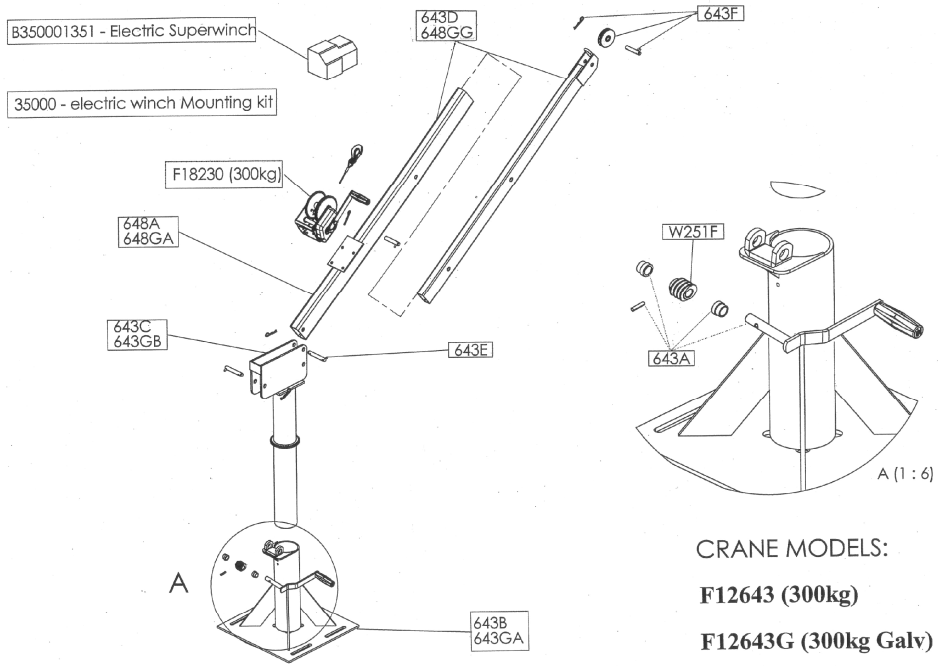
**Models (refer to page 5 for complete listing):**

- F12643 – Backsaver Crane 300kg
- F12643G – Galvanised
- F12696Exx – Electric Winch - Superwinch S4000
- F13643W – Powder coated white



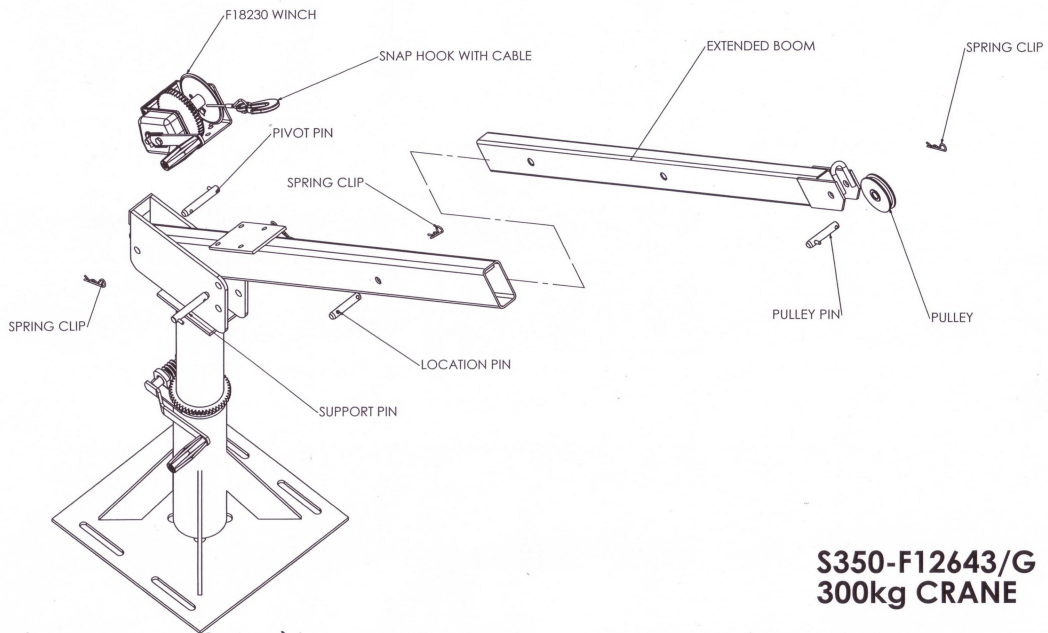


**Spare parts listing for Backsaver Crane – 300kg**



CRANE MODELS:  
**F12643 (300kg)**  
**F12643G (300kg Galv)**  
**F12696 (300kg Electric)**

**Exploded view of the F12643 (300kg) Backsaver Crane**



**S350-F12643/G**  
**300kg CRANE**

## Backsaver Crane – Mark II with Extendable Boom (500kg)

The simple design of the Backsaver Crane means it is easy to assemble and can be fitted almost anywhere – to jetties, utes or tray tops and to a wide variety of fixed platforms. When a Backsaver Crane is vehicle mounted and the time comes to change vehicles, it is simple to remove and leaves only four holes. The Backsaver Crane is then ready to install elsewhere. The Backsaver Crane’s simple operation means that little can go wrong and service support is available through Jarrett Spare Parts distributors around Australia.

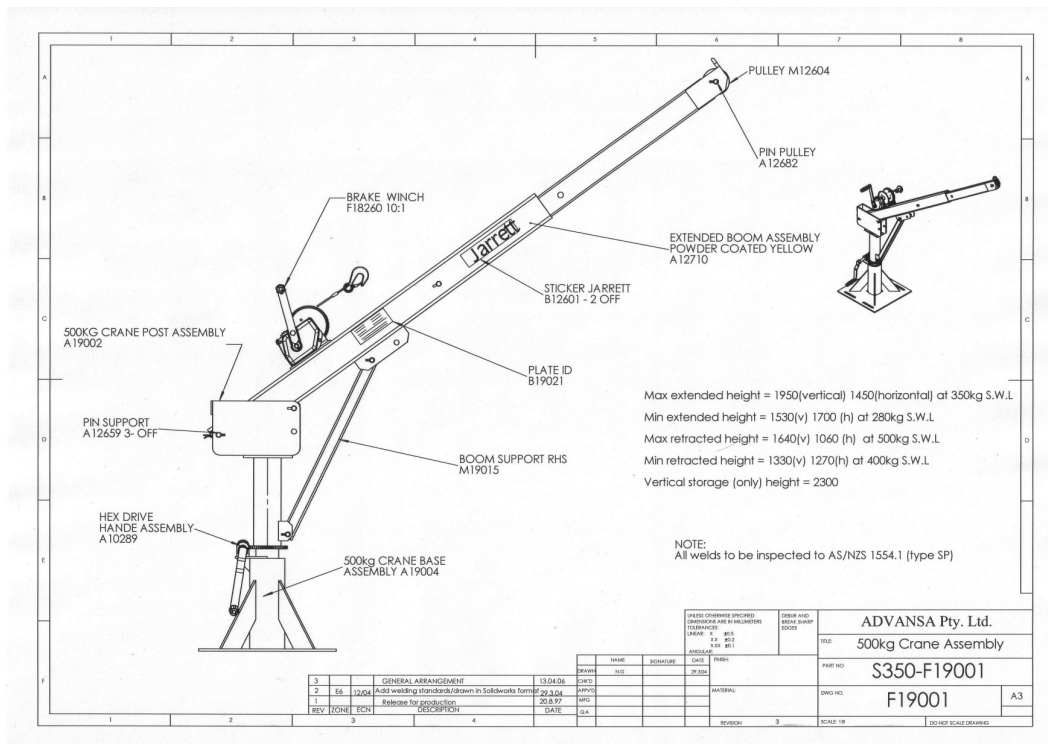
The Backsaver Crane provides the perfect lifting solution to tradesmen, farmers, delivery drivers and anyone who has to lift loads of anything from fuel drums, jet skis, small boats, motor bikes, car engines, ride-on-mowers, cement mixers, farm machinery, livestock, fence, brick cutters and even tractor tyres – the possibilities are endless. In fact if you have ever thought, “There’s got to be a better way”, chances are that Jarrett has already found it.



Max extended height = 1950(v) 1450(h) at 350kg S.W.L  
 Min extended height = 1530(v) 1700 (h) at 280kg S.W.L  
 Max retracted height = 1640(v) 1060 (h) at 500kg S.W.L  
 Min retracted height = 1330(v) 1270(h) at 400kg S.W.L  
 Vertical storage (only) height = 2300

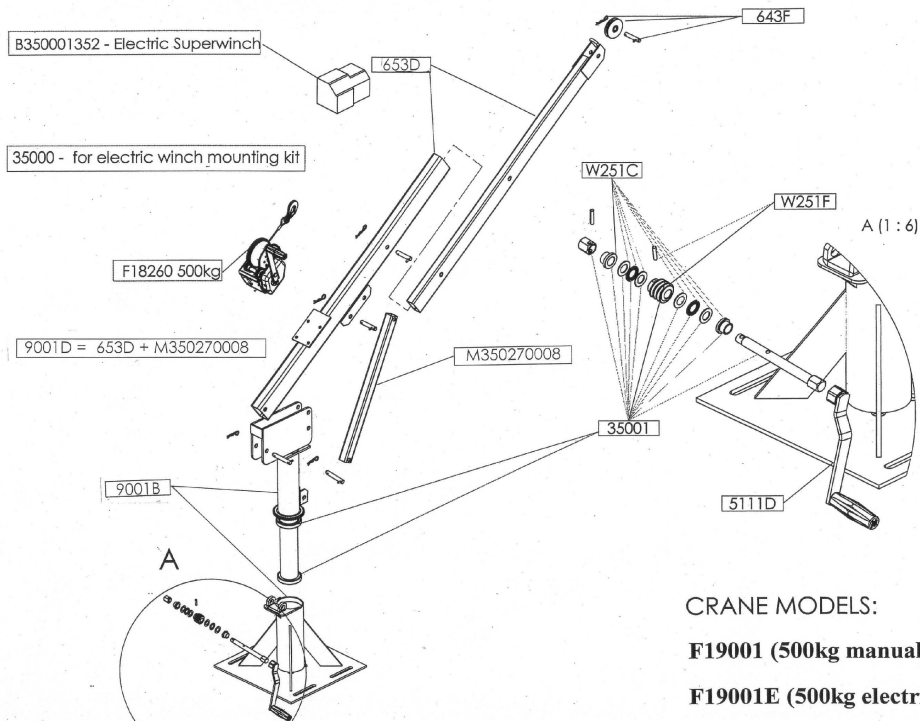
### Models (refer to page 5 for complete listing):

- F19001 – Backsaver Crane 500kg
- F19001Exx – Electric Winch - Superwinch S5000
- F19001CW – Powder coated white

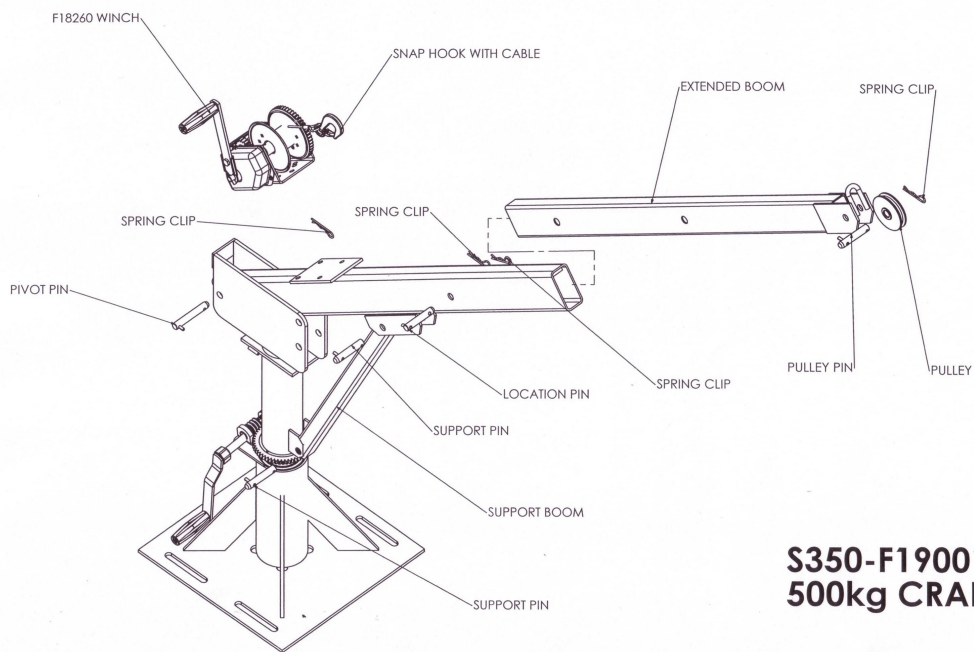


Jarrett Winches and Cranes are not intended for the movement of people

**Spare parts listing for Backsaver Crane – 500kg**



**Exploded view of the F19001 (500kg) Backsaver Crane**





## Backsaver Crane Assembly and Operating Instructions

1. Ensure the unit is correctly anchored via the base-plate to the operating platform.
2. Attach the boom to the post with the pivot pin and support pin.
3. Ensure the spring clips are fitted to the pivot pin and to the support pin.
4. Bolt the winch to the boom using 4ea M10 bolts, nuts and washers.
5. Thread the winch cable and hook it through the slot at the front of the boom.
6. Attach the pulley to the boom with the pulley pin and spring clips.

**Please note:** The Post and Base of the 500kg Backsaver Crane cannot be separated for installation

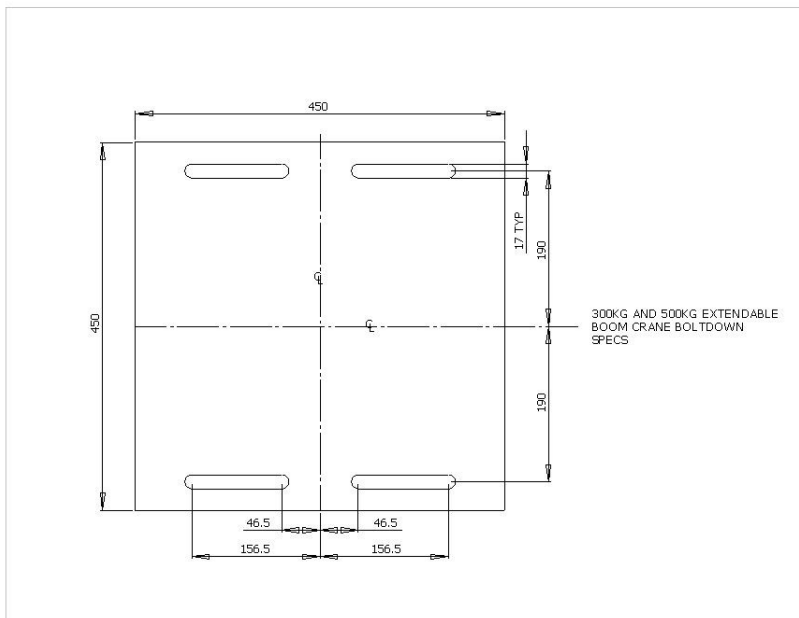
### Operation

1. Ensure that the operating platform is steady. If the unit is vehicle mounted then it should be positioned on a stable and horizontal surface with neutral or park gear selected.
2. Release the hook from the base of the crane.
3. Rotate the boom by turning the slewing handle until the hook is positioned directly over the load. (NEVER ATTEMPT TO LIFT THE LOAD WITHOUT THE BOOM BEING POSITIONED DIRECTLY OVER THE LOAD)
4. Attach the hook securely to the load.
5. Standing clear of the load, raise the load by turning the winch handle clockwise.
6. When the load is at the desired height, slew the load to the required position.
7. Lower the load by turning the winch handle anticlockwise.
8. If the load has been lowered onto a vehicle tray then the load should be secured. (DO NOT TRAVEL WITH LOAD ATTACHED TO THE CRANE)
9. Secure the hook into one of the four braces and take up the slack in the cable to secure the boom.

### Maintenance – Backsaver Crane

1. Clean and lubricate the following as required with appropriate grease:
  - Winch gears and pinion threads
  - Slewing worm and handle
  - All bushes
  - Pivot pin
  - Winch cable
  - Base tube
2. Inspect the gears, bushes and cable monthly for wear and replace as required.

## Backsaver Cranes – Bolt-down plate specs.



### Miscellaneous Notes:

Vertical distance from top of U-plate to the underside of the safety hook (with the ferrule against the pulley) = 240mm

**300kg & 500kg Backsaver Crane:**  
When not in use – secure the hook in one of the four braces.

**500kg Backsaver Crane:**  
Crane Post and Base cannot be separated for installation.

## Backsaver Cranes – Component weights (approx)

Winch – 7kg  
Inner and Outer Boom – 26kg  
Packed in cartons – pack of 2

Post and Base section – 40kg (300kg BSC) - 55kg (500kg BSC)  
Boom Support Bar (F19001 – 500kg series) – 3 kg  
Carton Dimensions: 172cm x 48cm x 62cm

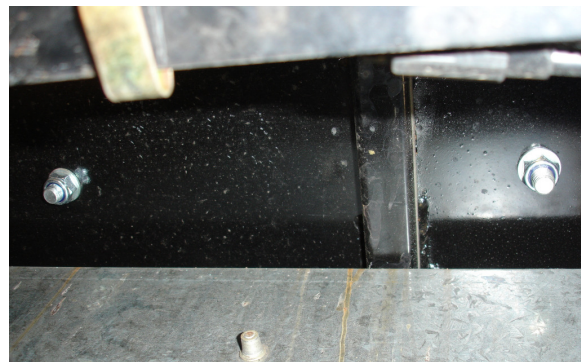
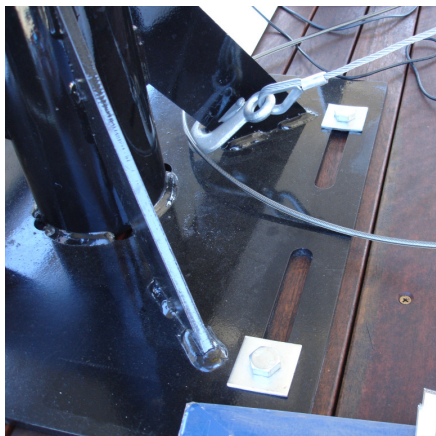
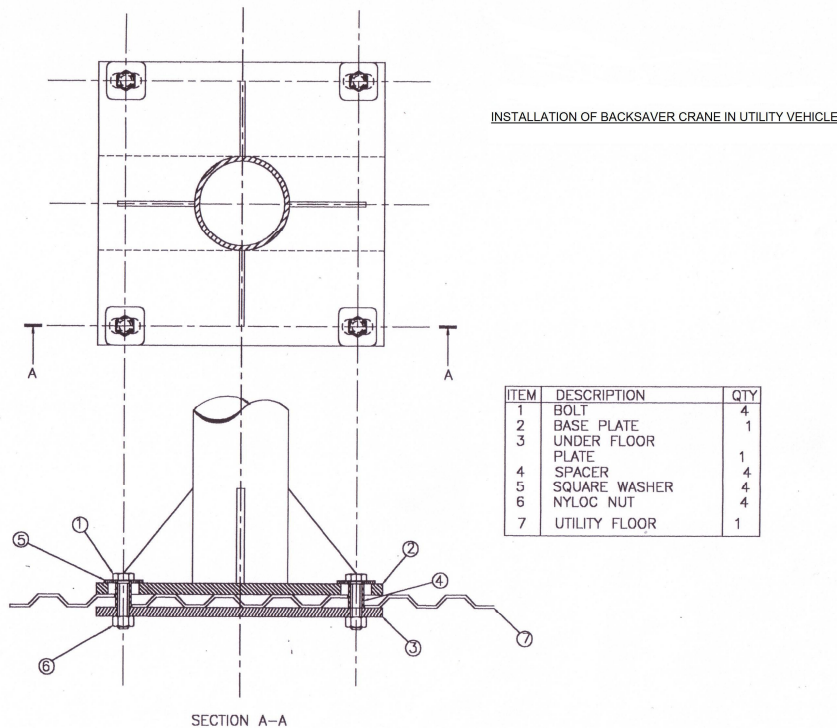
### Vehicle installation of Backsaver Crane (300kg and 500kg)

To provide a minimum safety factor at the crane's maximum capacity (jib in short position), the general mounting arrangement (expected to provide good long term service) should consist of the following additional components and conditions:

1. 2 ea. 100mm x 10mm x 450mm long steel plates drilled appropriately to suit crane base plate bolt pattern (see previous page).
2. 4 ea.M16 HH 8.8 bolts with ferrule spacers on each bolt to take up the bolt shank to mounting hole clearance with M16 nylocs.
3. Large above floor washers (M16) are used under the bolt heads.
4. The under floor plates must sit flat against the underside surface.

The Jarrett Backsaver Crane has a large mounting base that sits flat on the vehicle floor and is anchored to the floor with 10mm flat under floor plates. Each plate is mounted transversely across the full width of the main crane base (above the floor) and is not less than 100mm wide.

Due to the nature of mounting through corrugated floor structure it is recommended that regular inspection is undertaken to ensure that the mounting stay secure and no cracking of the floor become evident.



**Mountings on vehicle tray top (L) & underside (Above)**

## 8000 Series Brake Winch

5:1 / 10:1 ratio models (300-500kg) – available for Backsaver Cranes

<b>Backsaver Crane</b>	<b>F12643</b> (300kg)	<b>F19001</b> (500kg)
<b>Winch Model:</b>		
<b>Cable</b>	<b>F18230</b>	<b>F18260</b>
<b>Fibre Rope</b>	<b>F18235</b>	<b>F18265</b>
<b>Gear Ratio</b>	<b>5:1</b>	<b>10:1</b>
<b>Application</b>	<b>Lifting</b>	<b>Lifting</b>
Rated Capacity	300kg (2940N)	500kg (4900N)
Mass (Winch only)	6kg	6kg
Type of Brake	Self Actuating	Self Actuating
Drum Diameter	50mm	50mm
Flange Diameter	130mm	130mm
Drum Width	52mm	52mm
Cable / Fibre Rope size	Ø5mm/ Ø6mm	Ø6mm / Ø6mm
Maximum Cable Capacity	15m x Ø5mm	12m x Ø6mm
Maximum F/rope Capacity	12m x Ø6mm	12m x Ø6mm
Max. Effort on handle at Rated Load	26kg	18kg
Cable Breaking Strain	1855kg	2712kg
Fibre Rope Breaking Strain	2050kg	2050kg
Cable (Galv) as supplied	7.5m x Ø5mm	7.5m x Ø6mm
Fibre Rope as supplied	7.5m x Ø5mm	7.5m x Ø6mm
Fastening Device	Snap Hook	Snap Hook



**Notes:**

*Features include:*

Heavy duty 4mm winch body, Steel bushes, Self actuating brake mechanism, Fully enclosed brake, Spare parts available, Electroplated zinc cobalt, Powder coated finish, Detachable handle

**F18230** is used on 300kg Backsaver Crane – Product Code: F12643

**F18260** is used on 500kg Backsaver Crane – Product Code: F19001

**Recommended for lifting applications.**

**Note:** Common user problem with this range of winches is the brake mechanism does not work when first assembled. When packaged, the winch and handle are separate and need to be assembled **as per the instructions included**. (see below and next page).

**Handle Assembly:**

The handle adaptor is turned clockwise until the ratchet is engaged **prior to** attaching the handle and securing with screw.

**Self actuating brake requires a minimum of 18kg to operate safely.**

Jarrett Winches and Cranes are not intended for the movement of people



### Attaching handle to the 8000 Series Brake Winch

**Note: Handle instructions (below) are included in packaging**

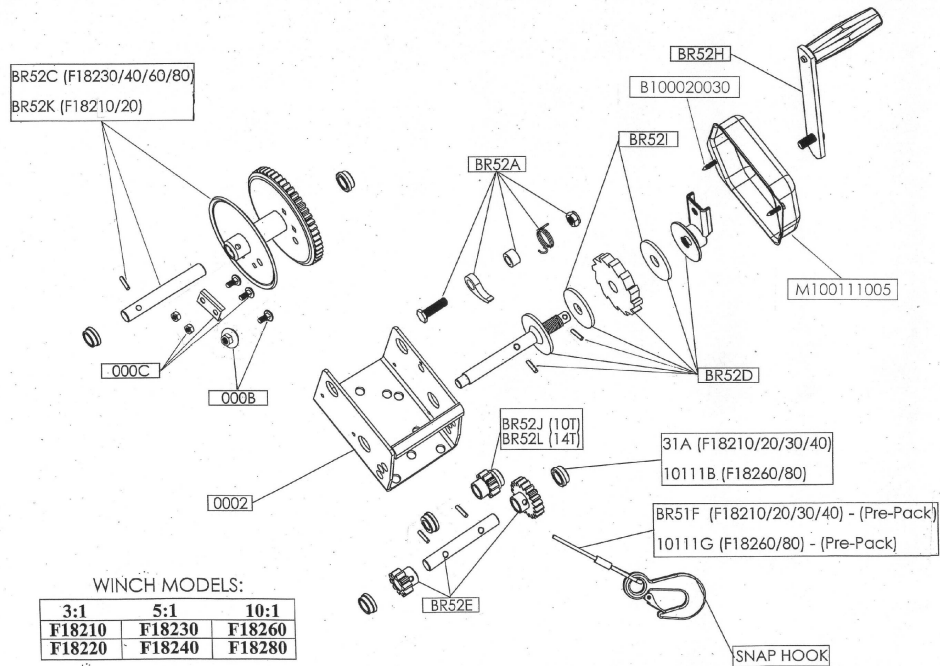
<b>ADVANSA PTY LTD©</b>	
<b>CAUTION: ATTACH HANDLE TO WINCH USING EASY STEPS BELOW.</b>	
1:- TURN HANDLE ADAPTOR CLOCKWISE UNTIL RATCHET HAS ENGAGED.	
2:- ATTACH THE HANDLE ONCE THE RATCHET HAS ENGAGED	
 <p>HANDLE ADAPTOR</p>	 <p>HANDLE</p>
SHOULD ANY DIFFICULTIES BE ENCOUNTERED, PLEASE CONTACT OUR CUSTOMER SERVICE DEPARTMENT ON +61 8 8243 9100	



**An F18260 Brake Winch mounted on a F19001 Backsaver Crane**

**8000 Series Brake Winches - Spare parts listing**

F18210, F18220, **F18230, F18235**, F18240, **F18260, F18265**, F18280



**Front and side elevation, and bolt-down specifications / dimensions**

